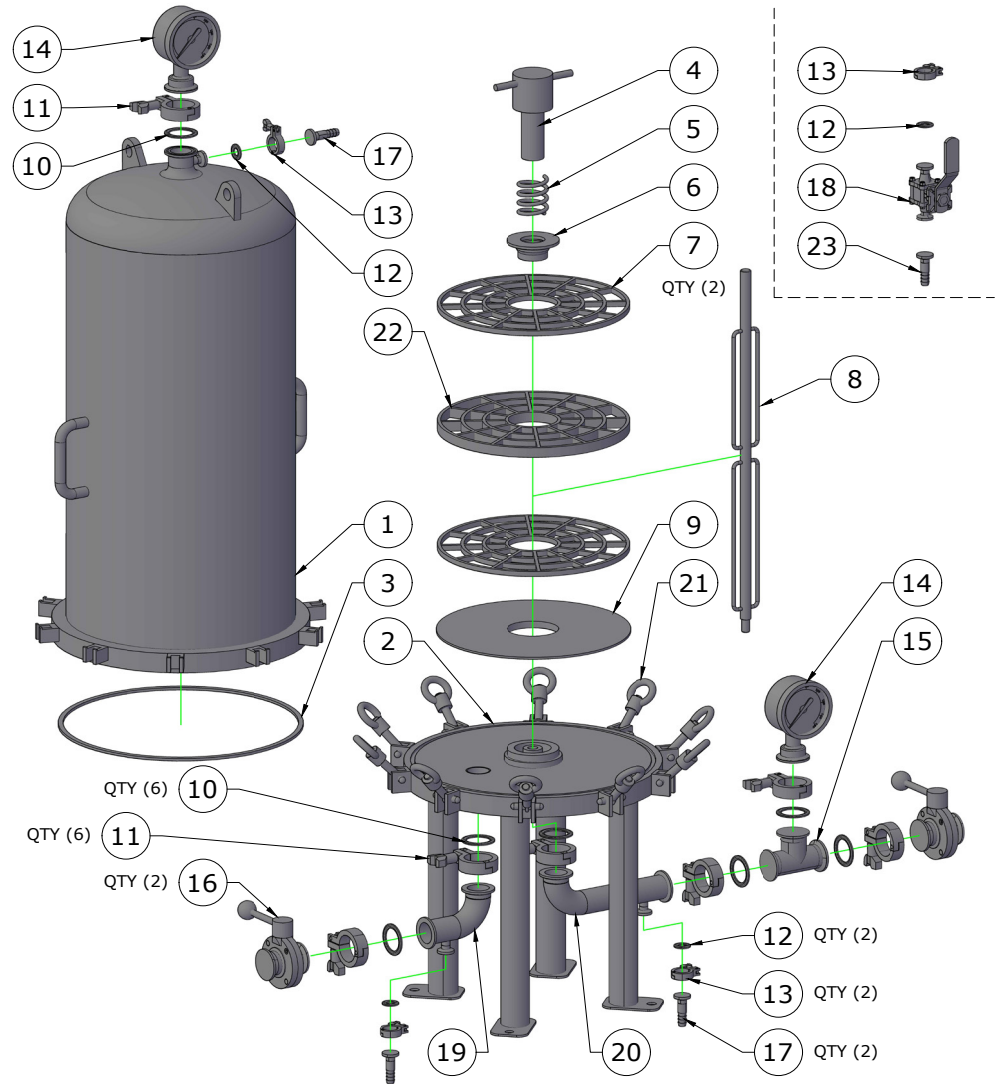
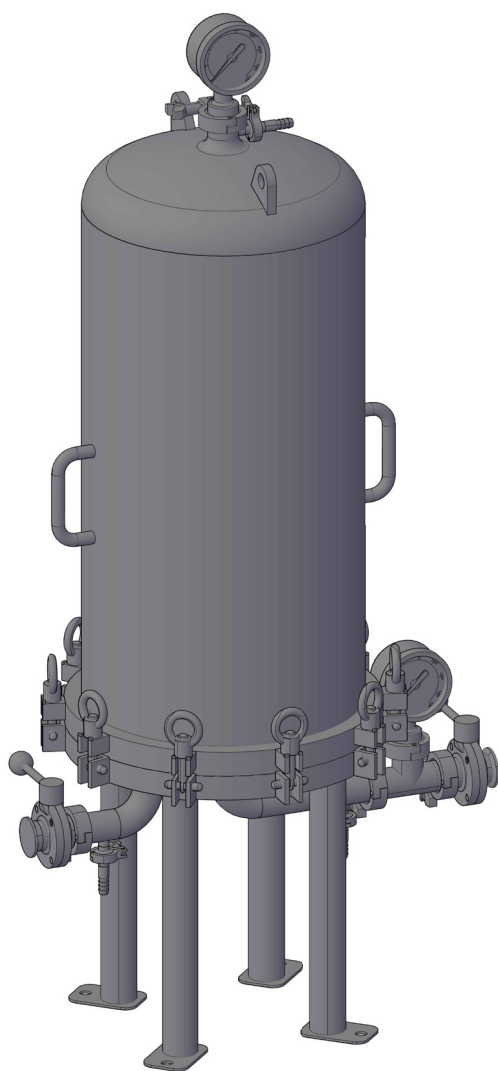


12" 2-High Lenticular Housing -65000B-A

EXPLODED VIEW



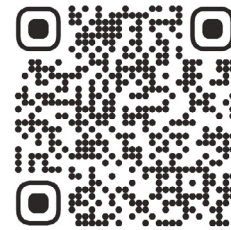
12" 2-High Lenticular Housing - 65000B-A

EXPLODED VIEW PARTS LEGEND

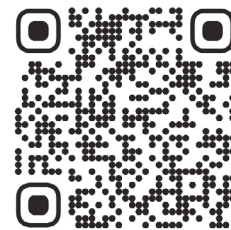
Last updated: 03/1/2023

PART (SEE EXPLODED VIEW)	DESCRIPTION	*ITEM #	COMMENTS
1	12" 2-high dome	N/A	Can only be ordered as a whole assembled housing
2	12" 2-high dome base	N/A	Can only be ordered as a whole assembled housing
3	12" base o-ring	970000	Also available in Viton
4, 5 & 6	Locking nut assembly	65003	
7* (extra item)	Backflush end plate (2)	65106NVE	Extra add-on item(s) for use with Supradisc II backflushable media only. Not included in housing base price.
8	2-high center post	65103	
9*	12" deflection plate (lipped) 12" deflection plate (non-lipped)	970020C 970020C2	
10	1.5" TC gasket	570002	
11	1.5" TC clamps	570022	
12	0.5" TC gasket	570000	
13	0.5" TC clamp	570020	
14	1.5" TC pressure gauge 0-58 psi	65110PG	
15	1.5" TC tee	570062	
16	1.5" TC butterfly valve	572212	
17	0.5" TC x barb vent/drain valve	572301	
18	0.5" TC ball valve	57220	
19 & 20	1.5" elbow 90°	N/A	On later models, elbows are welded on. Older model elbows do not have drains.
21	Lenticular housing eye bolt	971165	
22* (extra item)	Intermediate plate (1)	65106NVI	Extra add-on item(s) for use with Supradisc II backflushable media only. Not included in housing base price.
23	0.5" TC x 0.5" hose barb	570081	<i>*Please contact us if you purchased your housing prior to 2016</i>

OTHER RESOURCES



Lenticular Housing Product Pages
& Operating Instructions



Lenticular Filtration Articles